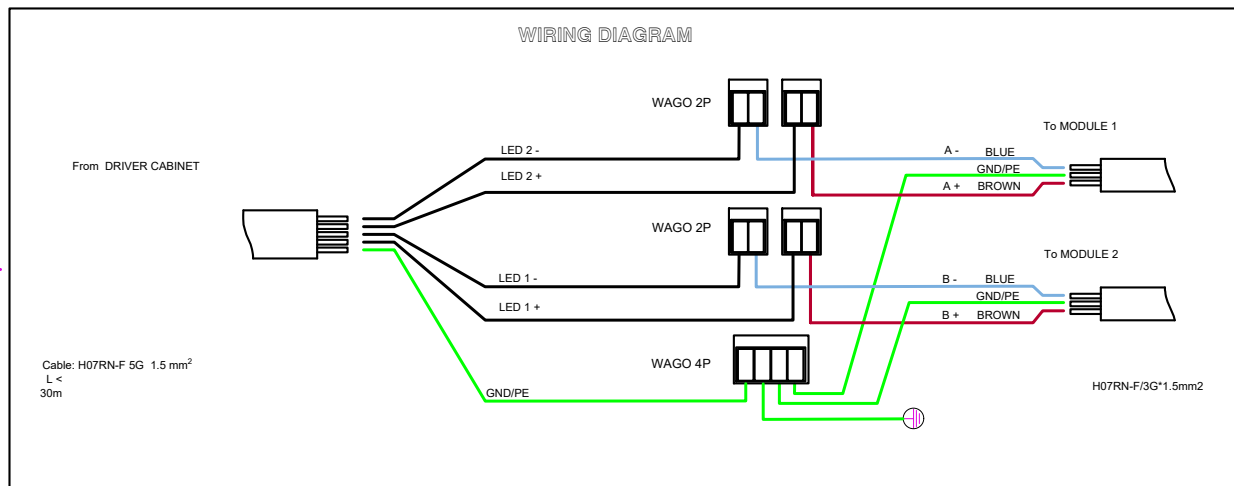
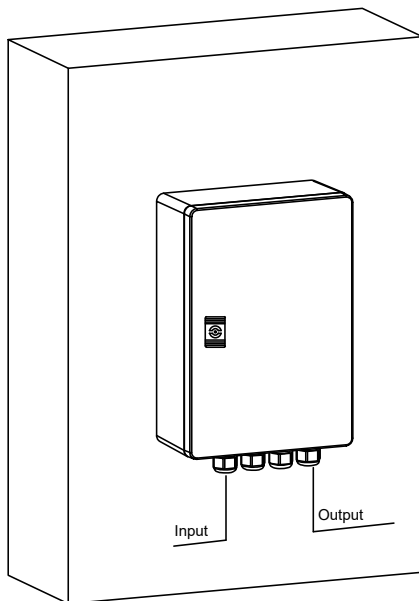


Wiring scheme | Luminaire to Driver box

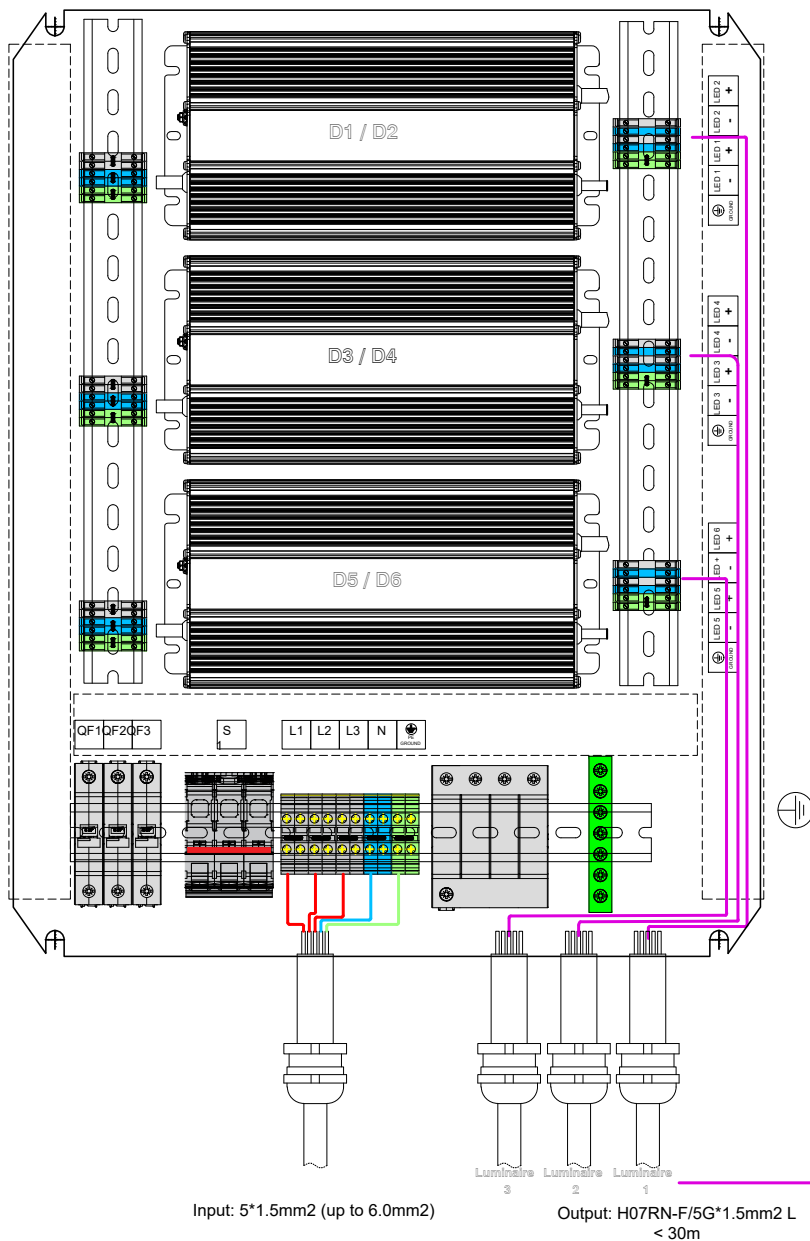


Electrical connection | Driver box

Driver box mounting



PG cable gland must be under the box in order to ensure waterproof



CARDI
Belysning från Elektroskandia